

**BVA**  
HYDRAULICS

# Gas Engine Pumps Instruction Manual

**MODELS: PG5505 & PGM5505**

SFA Companies 10939 N. Pomona Ave. Kansas City, MO 64153  
Tel: 888-332-6419 \* Fax: 816-891-6599  
E-mail: sales@bvahydraulics.com Website: www.bvahydraulics.com



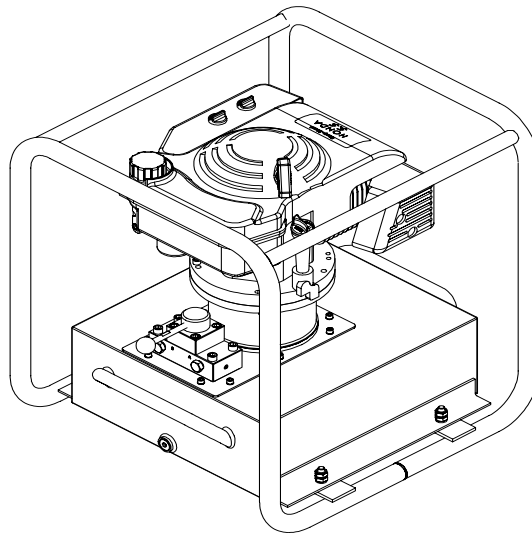
*This is the safety alert symbol. It is used to alert you to potential personal injury hazards. Obey all safety messages that follow this symbol to avoid possible injury or death.*

## Maximum Operating Pressure 10,000 PSI



### **WARNING**

*The engine exhaust from this product contains chemicals known to the State of California to cause cancer, birth defects or other reproductive harm.*



Model PG5505 & PGM5505 (Honda Engine)

## SAFETY AND GENERAL INFORMATION

**Save these instructions.** For your safety, read and understand the information contained within. The owner and operator shall have an understanding of this product and safe operating procedures before attempting to use this product. Make certain that the operator thoroughly understands the inherent dangers associated with the use and misuse of the product. If any doubt exists as to the safe and proper use of this product as outlined in this factory authorized manual, remove from service immediately.

**Inspect before each use.** It is recommended that, prior to each use, an inspection be done by qualified personnel and that any missing or damaged parts, decals, warning / safety labels or signs be replaced with factory authorized replacement parts only. Any pump that appears to be damaged in any way, is worn, leaking or operates abnormally shall be removed from service immediately until such time as repairs can be made. Any pump that has been or suspected to have been subject to a shock load (a load dropped suddenly, causing the system pressure to exceed 10,000 PSI), shall be removed from service immediately until checked by qualified personnel. Owners and operators of this equipment shall be aware that the use and subsequent repair of this equipment may require special training and knowledge.

## PRODUCT DESCRIPTION

BVA Hydraulics Gas Engine Pump is engineered to meet most industrial standards for Performance and Safety. These pumps provide hydraulic power when electricity and air power are not available. These pumps supply compressed hydraulic fluid to compatible applications i.e. rams, presses, spreaders, compactors and crimping machines, anywhere that 10,000 PSI of fluid pressure is needed. Special skill, knowledge and training may be required for a specific task and the product may not be suitable for all the jobs described above. Unsuitable applications would include applications that call for a device to move, level or support persons, animals, hazardous materials, mobile homes/ dwellings in general, mirrors and/or plate glass, and/or to connect/secure hatches, components, etc. between bulkheads. The user must make the decision regarding suitability of the product for any given task and assume the responsibility of safety for himself and others in the work area.

**NOTICE:** Please refer to gas engine owner's manual for engine information.

**⚠ WARNING:** To reduce the risk of personal injury and/or property damage, ensure that the rated working pressure of each pressurized attachment be equal to or greater than the rated working pressure developed by the hydraulic pump.

**⚠ CAUTION:** Always check connections before using. Alteration of these products is strictly prohibited. Use only those adapters, attachments and accessories provided and approved by the manufacturer.

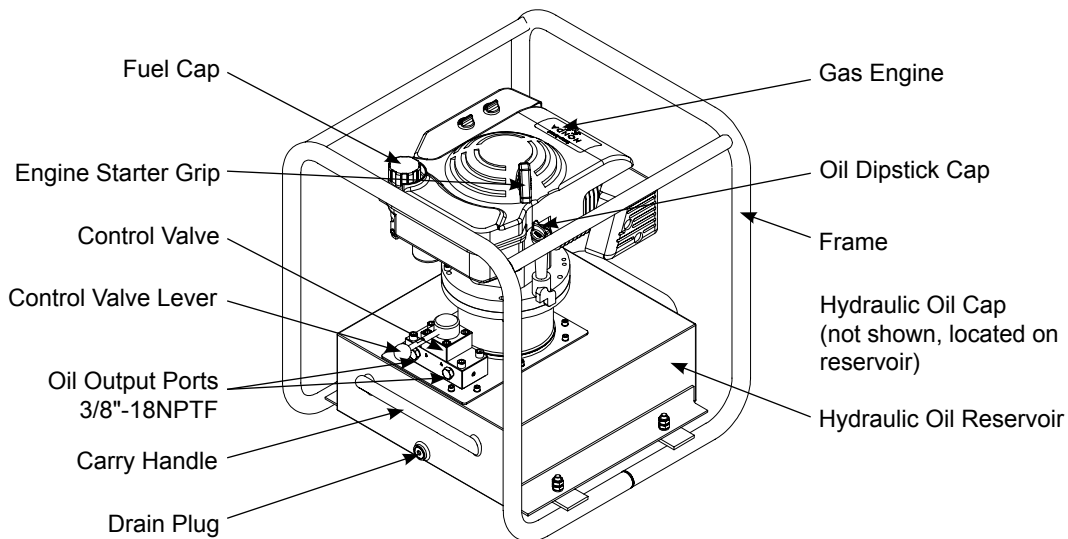


Figure 1 - Model PG5505 Components

## SPECIFICATIONS

Model Number	Usable Oil Capacity (gal)	Pressure Rating (psi)		Output Flow Rate (in <sup>3</sup> /min)		Valve Type	Motor Mfr	Motor Size (hp)	Output Port Threads	Weight (lb)
		1st Stg	2nd Stg	1st Stg	2nd Stg					
PG5505	5	700	10,000	700	100	Manual, 3-way, 3-position	Honda	5.5	3/8"-18NPT	121
PGM5505						Manual, 4-way, 3-position				

## BEFORE USE

1. Visually inspect all components for shipping damage. Do not use if any damaged parts are found.

**NOTICE:** *Gas Pump is shipped without hydraulic oil. Add oil before operating.*

2. Familiarize yourself with the specifications and illustrations in this owners manual. Many malfunctions in new equipment are the result of improper operation and/or improper set-up assembly. Know your pump, its limitations and how it operates before attempting to use. Refer to specification chart and figure 1 on page 2 for details of oil port thread size, usable oil capacity and more. Read and follow all instructions carefully.

**⚠ WARNING:** *Maximum working pressure is 10,000 PSI. All hydraulic equipments such as cylinders, hoses, couplers and etc. used with this pump shall be rated at or above 10,000 PSI operating pressure.*

### Hydraulic Connections:

1. Use only hydraulic oil specified by the manufacturer. Check and make sure the oil level in reservoir is at about 2" from top of reservoir plate, with cylinder retracted and motor off.
2. Use of pressure gauge is strongly recommended. Attach pressure gauges between the pump and cylinder, these gauges permit the operator to monitor pressure on cylinder.
3. Make sure couplers, hoses, valve and gauges are tighten securely to prevent accidental removal of components while in use. Hoses shall not be kinked or twisted.

**NOTICE:** *Always secure threaded port connections with non-hardening pipe thread compound. Take care not to introduce compound into port orifices.*

4. Do not exceed the rated capacity of the equipment connected to the pump. Use larger capacity of cylinders if necessary.

**WARNING:** *There are hazards associated with the use of this equipment which can only be avoided by reading, understanding and following all the printed materials provided by the manufacturer of the gasoline engine which drives this hydraulic pump.*



## **WARNING**



- Read, understand, and follow all instructions provided with and on this device before use.
- All WARNING statements must be carefully observed to help prevent personal injury.
- No alteration shall be made to this device.
- Always wear protective gear when operating hydraulic equipment. Tie up long hair, wear eye and ear protection, and nonslip foot wear.
- Keep hydraulic equipment away from flames and heat. Hydraulic fluid can ignite and burn. Do not operate if leaks are detected.
- Crush Hazard. Keep hands and feet away from loading area. Avoid pinch points or crush points that can be created by the load, cylinder, or system components.
- To avoid crushing and related injuries: NEVER work on, under or around a lifted load before it is supported by appropriate mechanical means. Never rely on hydraulic pressure alone to support load.
- Do not operate this device in an extreme temperature, explosive atmosphere or in the presence of conductive liquids.
- Always inspect hoses and connections for damage prior to use.
- Ensure the device is placed on a hard, level surface.
- Ensure that application is stable to work on and around.
- Use only approved accessories and approved hydraulic fluid.
- Never attach ANY component not authorized by manufacturer.
- Do not connect to application which can return more oil to the reservoir than the pump reservoir can hold.
- Do not connect pump to hydraulic system powered by another pump.
- This device is not suitable for use as support device! As the system load is lifted, use blocking and cribbing to guard against a falling load.
- All personnel must be clear before lowering load or depressurizing the system.
- Never try to disassemble a hydraulic pump, refer repairs to qualified, authorized personnel.

### **HYDRAULIC PUMPS**

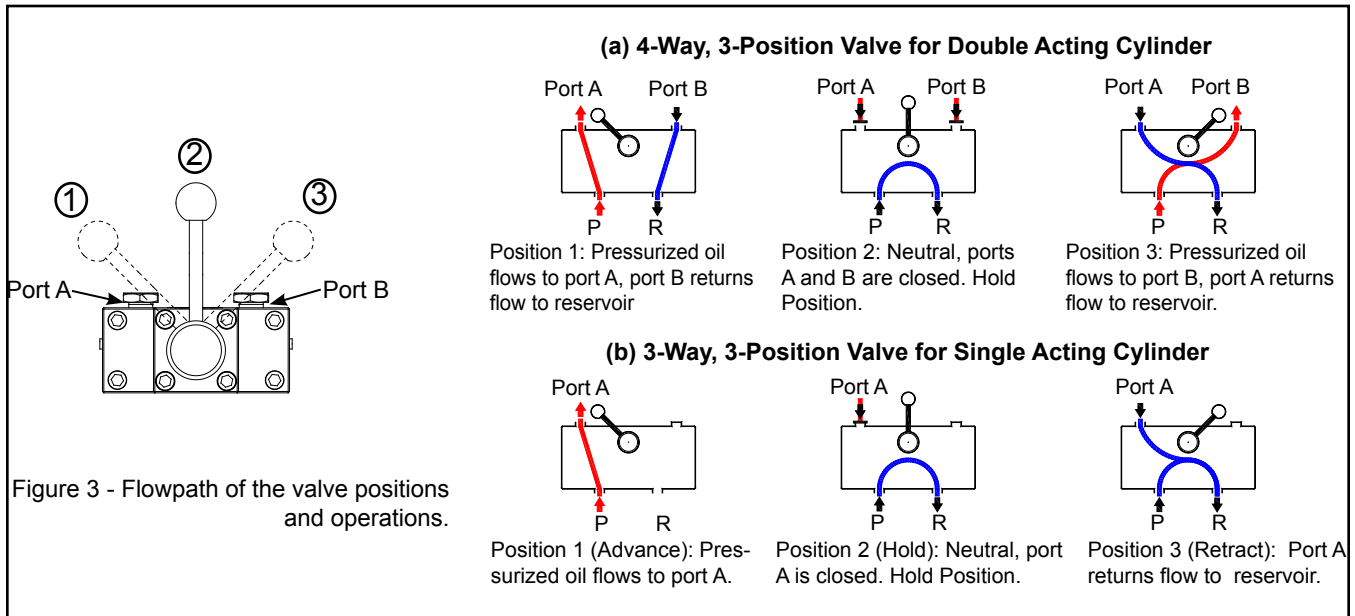
- The user must be a qualified operator familiar with the correct operation, maintenance, and use of pumps. Lack of knowledge in any of these areas can lead to personal injury.
- Do not exceed rated capacity of the pump or any equipment in the system.
- Never attempt to lift a load weighing more than the capacity of the output device (cylinder, spreader etc.)
- Do not subject pump and its components to shock loads.
- Burst hazard exists if hose or connection pressure exceeds rated pressure.
- Inspect pump, cylinder, hoses and connections before each use to prevent unsafe conditions from developing. Do not use if they are damaged, altered or in poor condition. Do not operate the system with bent or damaged coupler or damaged threads.
- Never hold or stand directly in line with any hydraulic connections while pressurizing.
- ALWAYS use gauge or other load measuring instrument to verify load.
- Never attempt to disconnect hydraulic connections under pressure. Release all line pressure before disconnecting hoses.
- Avoid short runs of straight line tubing. Straight line runs do not provide for expansion and contraction due to pressure and/or temperature changes.
- Reduce stress in tube lines. Long tubing runs should be supported by brackets or clips. Before operating the pump, tighten all hose connections with proper tools. Do not overtighten. Connections should only be tightened securely and leak-free. Overtightening can cause premature thread failure or high pressure fittings to burst.
- Should a hydraulic hose ever rupture, burst or need to be disconnected, immediately shut off the pump and release all pressure. Never attempt to grasp a leaking pressurized hose with your hands. The force of escaping hydraulic fluid can inflict injury.
- Do not subject the hose to potential hazard such as fire, sharp objects, extreme heat or cold, or heavy impact.
- Do not allow the hose to kink, twist, curl, crush, cut or bend so tightly that the fluid flow within the hose is blocked or reduced. Periodically inspect the hose for wear.
- Do not pull, position or move setup by the hose.
- Hose material and coupler seals must be compatible with hydraulic fluid used. Hoses also must not come in contact with corrosive materials such as battery acid, creosote-impregnated objects and wet paint. Never paint a coupler or hose.
- FAILURE TO HEED THESE WARNINGS MAY RESULT IN PERSONAL INJURY AS WELL AS PROPERTY DAMAGE.

## OPERATION

**⚠ WARNING:** ALWAYS monitor pressure, load or position using suitable equipment. Pressure may be monitored by means of an optional manifold and gauge (contact BVA Hydraulics). Load may be monitored by means of a load cell and digital indicator. Correct application position can only be determined by the operator of the equipment.

1. Check all system fittings and connections to be sure they are tight and leak free.
2. Check the engine oil level. Please refer to engine owner's manual.
3. Before starting the pump, always place the control valve lever in the middle (Neutral/Hold) position to prevent accidental lifting or moving of load.
4. To start engine, refer to engine owner's manual.
5. Let the pump idle for a few minutes before put into operation.
6. Use the control valve lever to control the direction of fluid flow. This gas engine pump is equipped with a 4-way 3-position valve. Refer to figure 3(a) below for the flow path.

**NOTICE:** Do not continue to operate pump after cylinder plunger is fully extended or retracted.



7. To stop the engine, refer to engine owner's manual.
8. Depressurize all connections before disconnect.

**NOTICE:** Control valve on this pump is 4-way, 3-position valve type, for use with double-acting cylinders. If your application require a 3-way setting for single-acting cylinder as shown in Figure 3(b), it can be changed by an authorized BVA Service Center. If you have any doubt, please contact BVA Technical Service 888-332-6419.

## MAINTENANCE

1. For gas engine, please refer to engine owner's manual.
2. Inspect hoses and connections daily. Replace damaged components immediately with BVA Hydraulics replacement parts only.
3. Tighten connections as needed. Use non-hardening pipe thread compound when servicing connections.
4. Check hydraulic oil level every 40 hours of operation. Add hydraulic oil if necessary.
5. Completely change the hydraulic oil every 300 hours of operation. Change the oil more frequently when pump is used in an extremely dusty environment or when the oil has been overheated. Use only good quality hydraulic oil. We recommend BVA Hydraulic oil, Mobil DTE 15M or equivalent.

### Adding Hydraulic Fluid

1. Make sure engine is OFF.
2. Depressurize and disconnect from application.
3. Remove oil cap located on top plate of reservoir.
4. Use a funnel to fill reservoir to about 2" from top of reservoir plate.
5. Wipe up any spilled fluid and reinstall the oil cap.



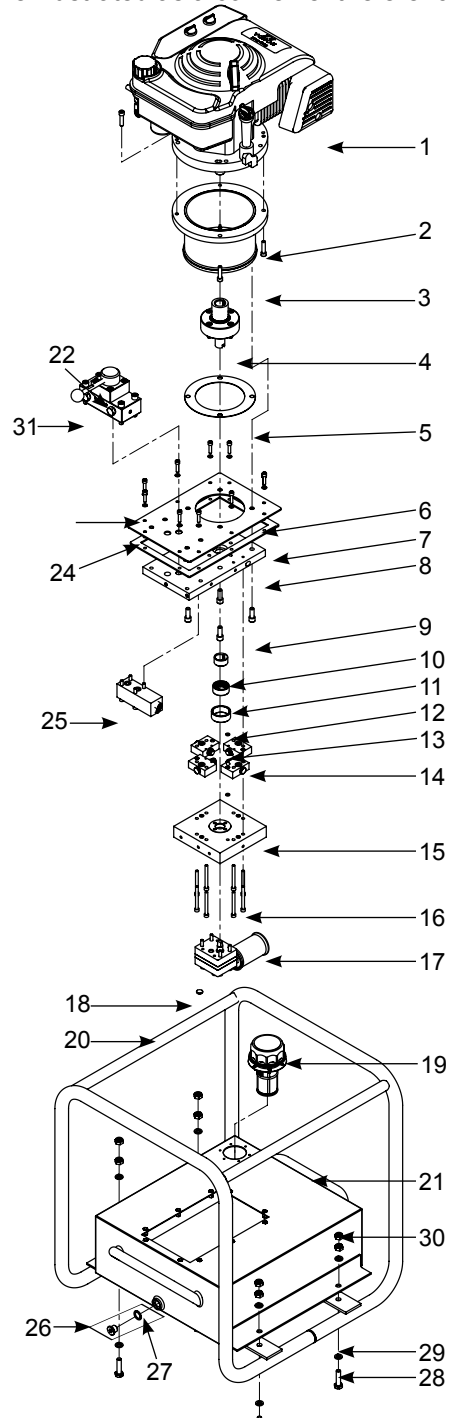
# Gas Engine Pump Service Parts

**MODEL: PG5505** (Honda Engine)

SFA Companies 10939 N. Pomona Ave. Kansas City, MO 64153  
 Tel: 888-332-6419 \* Fax: 816-891-6599  
 E-mail: sales@bvahydraulics.com Website: www.bvahydraulics.com

**Note:** Not all components of the pump are replacement items, but are illustrated as a convenient reference of location and position in the assembly sequence.

Item	Part No.	Description	Qty
1	E55-4-9000-101	Gas Engine, 5.5hp	1
2	E55-3-3007-109	Adapter Flange	1
3	649-1-0079-132	Socket Head Bolt	4
4 #a	E55-4-3011-106	Shaft Adapter	1
5	E05-6-9002-107	Gasket, Motor	1
6	E10-6-9003-102	Reservoir Plate	1
7	E05-6-9004-101	Gasket, Reservoir	1
8	E55-4-3000-101	Upper Plate Assy	1
9	649-1-0095-204	Socket Head Bolt	4
10	E30-6-9006-104	Shaft	1
11	622-6-0318-203	Bearing Needle	1
12	E05-6-9007-107	Bearing	1
13	511-7-0064-109	O-ring	2
14 *a	E15-4-4000-104	Piston Block	4
15	E30-4-5000-100	Lower Plate Assy	1
16	649-1-0063-403	Socket Head Screw	8
17 *b	E55-4-6000-106	Gear Pump Assy	1
18	H23-6-1000-102	Magnet	1
19	E10-4-2000-109	Oil Cap	1
20	E55-3-7005-105	Frame	1
21	E55-3-9005-101	Reservoir	1
22 *c	PW3	Valve Assy	1
23 #b	649-1-0060-407	Socket Head Bolt	10
24 #b	601-3-0064-106	Washer	10
25 *d	E05-4-8000-106	Manifold	1
26	E05-3-9901-103	Drain Plug	1
27	532-3-0160-104	Washer	1
28 #c	653-1-0100-078	Hex Bolt, M10 x 1.5 x 40L	4
29 #c	605-3-0100-203	Washer	8
30 #c	661-2-0100-014	Nut	8
31	E05-3-9910-104	Bolt Assy for Valve (4pc.)	1
(#a)	E55-3-9991-100	Bolt Assy for Engine	-
(#b)	E60-3-9902-108	Bolt Assy for Reservoir Plate	-
(#c)	E60-3-9990-101	Bolt Assy for Frame	-
(*a)	E05-3-9940-102	Seal Kit for Item #14	-
(*b)	E05-3-9960-109	Seal Kit for Item #17	-
(*c)	E05-3-9911-106	Seal Kit for Item #22	-
(*d)	E05-3-9980-105	Seal Kit for Item #25	-





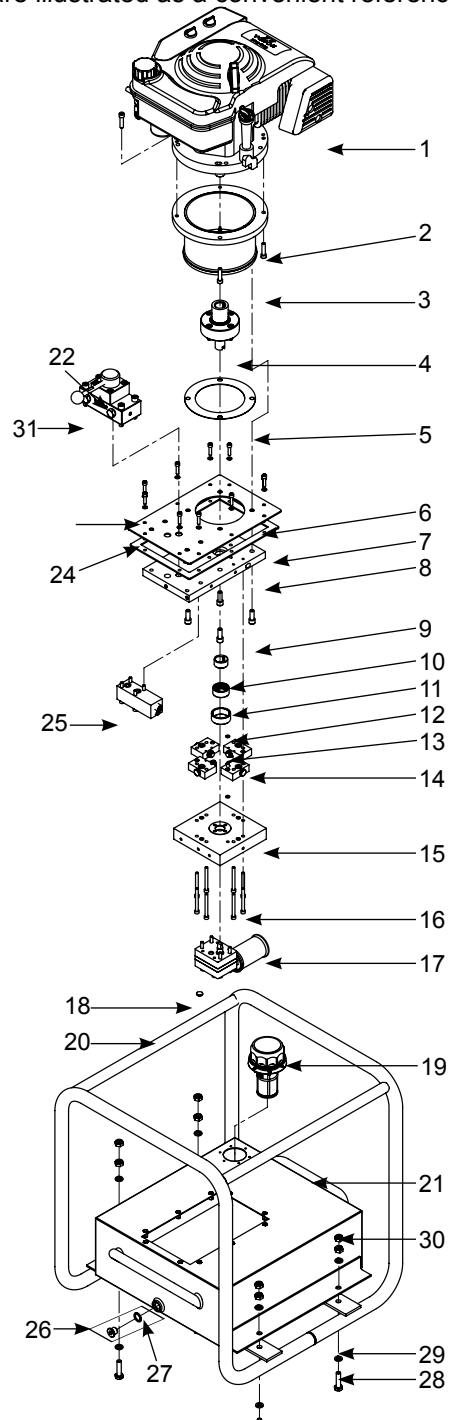
# Gas Engine Pump Service Parts

**MODEL: PGM5505** (Honda Engine)

SFA Companies 10939 N. Pomona Ave. Kansas City, MO 64153  
 Tel: 888-332-6419 \* Fax: 816-891-6599  
 E-mail: sales@bvahydraulics.com Website: www.bvahydraulics.com

**Note:** Not all components of the pump are replacement items, but are illustrated as a convenient reference of location and position in the assembly sequence.

Item	Part No.	Description	Qty
1	E55-4-9000-101	Gas Engine, 5.5hp	1
2	E55-3-3007-109	Adapter Flange	1
3	649-1-0079-132	Socket Head Bolt	4
4 #a	E55-4-3011-106	Shaft Adapter	1
5	E05-6-9002-107	Gasket, Motor	1
6	E10-6-9003-102	Reservoir Plate	1
7	E05-6-9004-101	Gasket, Reservoir	1
8	E55-4-3000-101	Upper Plate Assy	1
9	649-1-0095-204	Socket Head Bolt	4
10	E30-6-9006-104	Shaft	1
11	622-6-0318-203	Bearing Needle	1
12	E05-6-9007-107	Bearing	1
13	511-7-0064-109	O-ring	2
14 *a	E15-4-4000-104	Piston Block	4
15	E30-4-5000-100	Lower Plate Assy	1
16	649-1-0063-403	Socket Head Screw	8
17 *b	E55-4-6000-106	Gear Pump Assy	1
18	H23-6-1000-102	Magnet	1
19	E10-4-2000-109	Oil Cap	1
20	E55-3-7005-105	Frame	1
21	E55-3-9005-101	Reservoir	1
22 *c	PW4	Valve Assy	1
23 #b	649-1-0060-407	Socket Head Bolt	10
24 #b	601-3-0064-106	Washer	10
25 *d	E05-4-8000-106	Manifold	1
26	E05-3-9901-103	Drain Plug	1
27	532-3-0160-104	Washer	1
28 #c	653-1-0100-078	Hex Bolt, M10 x 1.5 x 40L	4
29 #c	605-3-0100-203	Washer	8
30 #c	661-2-0100-014	Nut	8
31	E05-3-9910-104	Bolt Assy for Valve (4pc.)	1
(#a)	E55-3-9991-100	Bolt Assy for Engine	-
(#b)	E60-3-9902-108	Bolt Assy for Reservoir Plate	-
(#c)	E60-3-9990-101	Bolt Assy for Frame	-
(*a)	E05-3-9940-102	Seal Kit for Item #14	-
(*b)	E05-3-9960-109	Seal Kit for Item #17	-
(*c)	E05-3-9911-106	Seal Kit for Item #22	-
(*d)	E05-3-9980-105	Seal Kit for Item #25	-



## TROUBLESHOOTING GUIDE

The following information is intended as an aid in determining if problem exists. Pumps should be repaired only by authorized BVA Service Center. For repair service, contact service center in your area.

Symptom	Possible Causes	Corrective Action
Application does not extend, move or respond to pressurized fluid	<ul style="list-style-type: none"> <li>• Overload condition</li> <li>• Loose couplers</li> <li>• Faulty couplers</li> <li>• Pump malfunction</li> </ul>	<ul style="list-style-type: none"> <li>• Remedy overload condition</li> <li>• Tighten couplers</li> <li>• Replace couplers</li> <li>• Contact Service Center</li> </ul>
Pump fails to maintain pressure	<ul style="list-style-type: none"> <li>• External leak</li> <li>• Internal hydraulic leak</li> </ul>	<ul style="list-style-type: none"> <li>• Tighten all connections</li> <li>• Contact Service Center</li> </ul>
Application responds to pressurized fluid, but system does not maintain pressure	<ul style="list-style-type: none"> <li>• Overload condition</li> <li>• Pump or valve malfunction</li> <li>• Application/connection leaking</li> </ul>	<ul style="list-style-type: none"> <li>• Remedy overload condition</li> <li>• Contact Service Center</li> <li>• Replace application/connection</li> </ul>
Application responds slower than normal	<ul style="list-style-type: none"> <li>• Loose connection or coupler</li> <li>• Restricted hydraulic line or fitting</li> <li>• Application/connection leaking</li> </ul>	<ul style="list-style-type: none"> <li>• Tighten connection or coupler</li> <li>• Clean and replace if damaged</li> <li>• Replace application/connection</li> </ul>
Application does not return fluid to pump (i.e. cylinder will not retract)	<ul style="list-style-type: none"> <li>• Malfunctioning coupler, damaged application</li> </ul>	<ul style="list-style-type: none"> <li>• Secure load by other means. Depressurize pump and hose, remove coupler and/or application, then renew or replace</li> </ul>
Application does not fully extend (cylinder or spreader)	<ul style="list-style-type: none"> <li>• Reservoir overfilled</li> <li>• Fluid level in pump is low</li> </ul>	<ul style="list-style-type: none"> <li>• Secure load by other means. Depressurize pump and hose, remove application, then drain fluid to proper level</li> <li>• Secure load by other means. Depressurize pump and hose, remove application, then fill fluid to proper level</li> </ul>
Poor performance	<ul style="list-style-type: none"> <li>• Fluid level in pump is low</li> </ul>	<ul style="list-style-type: none"> <li>• Ensure proper fluid level</li> </ul>

## LIMITED LIFETIME WARRANTY

BVA Hydraulics®, represented in the United States by SFA Companies ["SFA"] warrants this product to be free from defects in material and workmanship for the life of the product as long as the original purchaser owns the product. The warranty is non-transferable and is subject to the terms, exclusions, and limitations described below:

- Damaged components, including but not limited to bent rams, dented or crushed cylinder walls, broken welds or couplers as well as worn out seals, o-rings and springs are the result of misuse and not covered by warranty and BVA Hydraulics will not provide any warranty credit for such damaged components.
- This warranty does not cover ordinary wear and tear, overloading, alterations (including repairs or attempted repairs not performed by BVA Hydraulics or one of its authorized personnel), improper fluid use, or use of the product in any manner for which the product was not intended or the use of which is not in accordance with the instructions or warnings provided with the product.
- In the unlikely event that a BVA Hydraulics product fails due to material defect in workmanship, you may contact SFA for disposition. In such cases, the customer's sole and exclusive remedy for any breach or alleged breach of warranty is limited to the repair or replacement of the defective product.
- Under no circumstances is BVA Hydraulics liable for any consequential or incidental damage or loss whatsoever.
- THIS WARRANTY IS LIMITED TO NEW PRODUCTS SOLD THROUGH AUTHORIZED DISTRIBUTORS AND OTHER CHANNELS DESIGNATED BY BVA HYDRAULICS. NO AGENT, EMPLOYEE OR OTHER REPRESENTATIVE OF BVA HYDRAULICS IS AUTHORIZED TO MODIFY THIS WARRANTY.
- THE FOREGOING IS EXCLUSIVE AND IS IN LIEU OF ALL OTHER EXPRESS AND IMPLIED WARRANTIES, INCLUDING BUT NOT LIMITED TO THE IMPLIED WARRANTIES OF MERCHANTABILITY AND FOR A FITNESS FOR A PARTICULAR PURPOSE.
- Components not manufactured by BVA Hydraulics including certain motor systems, gasoline engines, and other are not covered by this warranty and instead are covered by the manufacturer's separate manufacturer's warranty provided in the package.
- BVA Hydraulics' liability in all cases is limited to, and will not exceed the purchase price paid for the product.